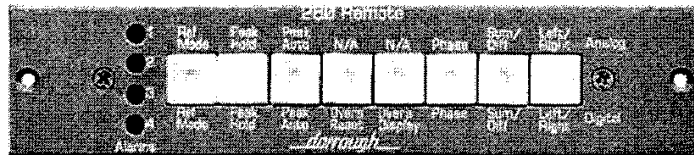


RW-100 Remote Control

Overview

The Dorrrough RW-100 remote control is designed to connect with up to four Dorrrough meters, providing convenient access to all meter functions. The RW-100 supports both the digital and analog meters. Button legends on the top apply to analog meters, while legends on the bottom are for the digital meters.

Connection to the meters is made through 8-pin mini DIN cables attached to the Alarm/Remote connector on the rear of the meters. The RW-100 is powered by the meter to which it is connected.



Display Functions

The buttons on the RW-100 activate various meter display functions. The unit contains a micro controller to interrogate and serialize the switch status.

The following table lists the display functions on the RW-100 for both the digital and analog audio meters:

Table 3, RW-100 Button Display Functions

Analog Meter	Digital Meter	Display Function (when On)
Ref Mode	Ref Mode	Activates Expansion Mode (Dorrrough Window)
Peak Hold	Peak Hold	Activates Indefinite Peak Hold
Peak Auto	Peak Auto	Sets 3-second Peak Hold
N/A	Overs Reset	Resets Digital Overs Counter
N/A	Overs Display	Displays Digital Overs on meter scale
Phase	Phase	Displays Stereo Phase Error
Sum/Diff	Sum/Diff	Activates Sum/Difference Display
Left/Right	Left/Right	Activates Left/Right Display

If the RW-100 duplicates any DIP switch display function on the meter, the function is then OR'd. Example: if the Peak Auto DIP switch position is on, OR if the RW-100 Peak Hold button is on, 3-second Auto Peak display is active (ON).

Note: *It is recommended that all DIP switches be placed in the OFF position (with the exception of the termination and range switches) when accessing display functions from the RW-100.*

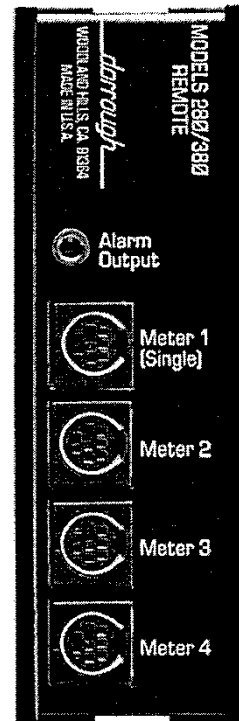
When more than one meter is connected to the RW-100, all meters are controlled as a group when operating the remote.

Alarm Outputs

Alarm status LEDs are located on the left side of the Remote Control and are numbered one through four indicating the number of meters that can be connected to a single remote. If more than one meter is connected to the RW-100, all meters are controlled as a group.

The illumination of the alarm LED is dependent upon DIP switch #4 and will indicate any one of the following errors for the meter(s) corresponding to that position:

1. Stereo phase error.
2. The audio levels are insufficient to cause a display for a defined period.
3. The audio level is full scale or greater.



Alarm/Remote Contact Connection

A custom alarm output port is provided at the rear of the remote as a mini-phone jack. The limitations of this circuit are those of the meter alarm closure device, an open drain FET with a maximum rating of 30 VDC, 0.5 A.

An LED, beeper, or external computer input can be connected to signal violations. The closure time is a minimum of one second to allow external equipment to respond to the alarm.

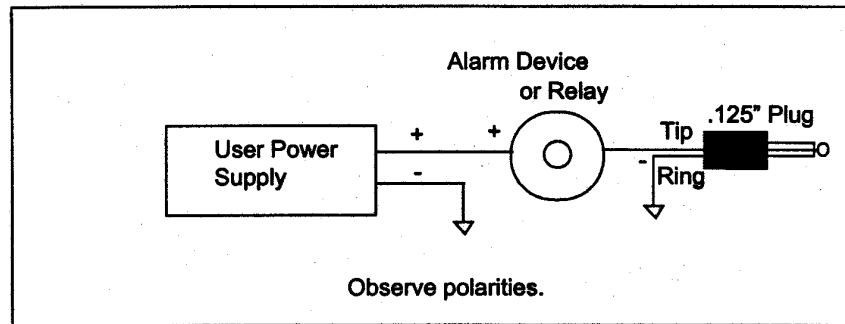


Figure 15, RW-100 Alarm Connection

It is recommended that all DIP switches be turned OFF when operating an RW-100 except for #4 which is user preference with the exception of the termination and range switches.

When the remote is absent, the DIP switches allow for access to the same functions except for phase display.